



US15 Satin Nickel shown

TRUSTILE HINGES

TruStile offers architectural-grade, square corner, ball bearing hinges custom built to its specifications.

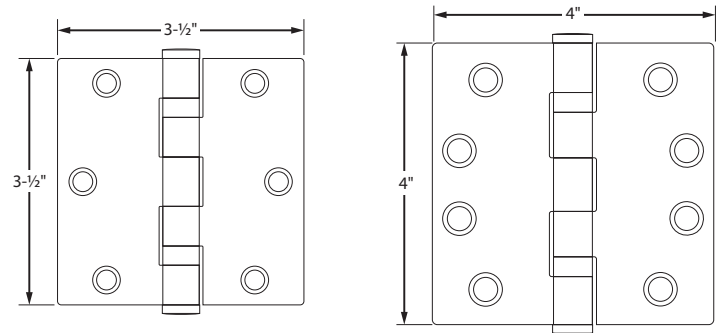
Doors that are ordered pre-hung receive 4 hinges on 1-3/4" doors, while 1-3/8" doors receive 3-1/2" hinges.

4-1/2" hinges are available for 1-3/4" and 2-1/4" doors.

Hinges can also be ordered for TruStile doors not pre-hung at the factory.

Spring hinges are available in 3-1/2", 4" and 4-1/2" sizes for openings requiring a self-closing mechanism, such as house-to-garage applications.

Disposable "throw away" hinges are available in all sizes.



TRUSTILE HINGE FINISH OPTIONS



US3 Bright Brass



US4 Brushed Brass



US5 Antique Brass



US10a Antique Bronze



US10B Oil-Rubbed Bronze



US14 Polished Nickel



US15 Satin Nickel



US15a Antique Nickel



US19 Flat Black



US26 Polished Chrome



US26D Satin Chrome



Emtek square barrel hinge with US7 French Antique finish

EMTEK BALL BEARING HINGES

TruStile offers Emtek heavy-duty ball bearing, square corner hinges in plated steel, solid brass and stainless steel. Square corner, plated steel spring hinges are also available.

Emtek's solid brass, square corner, square barrel hinges are available in 0.180" thickness.

EMTEK HINGE FINISHE OPTIONS



Medium Bronze



Tumbled White Bronze



US10B Oil-Rubbed Bronze



US14 Polished Nickel



US15 Satin Nickel



US15A Antique Nickel



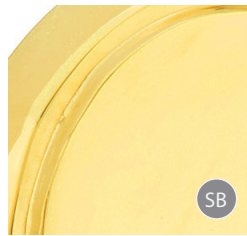
US19 Flat Black



US26 Polished Chrome



US3 Polished Brass



US3NL Unlacquered Brass



US4 Satin Brass



US7 French Antique

Plated Steel Finishes

- Medium Bronze
- Tumbled White Bronze
- US10B Oil-Rubbed Bronze
- US14 Polished Nickel
- US15 Satin Nickel
- US15A Antique Nickel
- US19 Flat Black
- US26 Polished Chrome
- US3 Polished Brass
- US4 Satin Brass
- US7 French Antique

Solid Brass Finishes

- US10B Oil-Rubbed Bronze
- US14 Polished Nickel
- US15 Satin Nickel
- US15A Antique Nickel
- US19 Flat Black
- US26 Polished Chrome
- US3 Polished Brass
- US3NL Unlacquered Brass
- US4 Satin Brass
- US7 French Antique



Ball Tip



Steeply Tip

Matching ball and steeply tips are available for Emtek solid brass round barrel hinges

BALDWIN ESTATE HINGES

TruStile offers Baldwin's Estate, heavy duty ball bearing, square corner, solid brass hinges in all their standard finishes.

Spring hinges and 3 1/2" x 3 1/2" size hinges are not available in the Baldwin Estate Collection.

BALDWIN FINISH OPTIONS

Tier 1 Finishes

- 003 Lifetime (PVD) Polished Brass
- 031 Non-lacquered Brass
- 033 Vintage Brass
- 060 Satin Brass & Brown
- 050 Satin Brass & Black
- 151 Antique Nickel
- 112 Venetian Bronze
- 102 Oil-Rubbed Bronze
- 190 Satin Black
- 264 Satin Chrome
- 260 Polished Chrome
- 150 Satin Nickel

Tier 2 Finishes

- 044 Lifetime (PVD) Satin Brass
- 055 Lifetime (PVD) Polished Nickel
- 056 Lifetime (PVD) Satin Nickel
- 402 Distressed Oil Rubbed Bronze
- 452 Distressed Antique Nickel



Baldwin hinge in Lifetime (PVD) Polished Brass

Hinge tip options for Baldwin Estate solid brass hinges.



Ball Tip

Acorn Tip

Steeple Tip

Urn Tip

PBB BALL BEARING HINGES:

TruStile offers PBB heavy duty ball bearing, square corner hinges in plated steel. Spring hinges are not available with PBB hinges

PBB FINISH OPTIONS

- | | | | |
|-------|-------------------|-------|---------------------------|
| US3 | Polished Brass | US26 | Polished Chrome |
| US4 | Satin Brass | US26D | Satin Chrome |
| US5 | Antique Brass | US32D | Satin Stainless |
| US10 | Satin Bronze | 689 | Aluminum Powder Coat |
| US10A | Antique Bronze | 694 | Medium Bronze Powder Coat |
| US10B | Oil-Rubbed Bronze | 695 | Dark Bronze Powder Coat |
| US15 | Satin Nickel | 800 | Black Powder Coat |
| US15A | Antique Nickel | | |



SIMONSWERK TECTUS CONCEALED HINGES

Simonswerk Tectus concealed hinges offer a sleek, clean look perfect for today's modern interiors. These precision hinges are fully adjustable in three dimensions, making it simple to create a perfect margin between the door and frame.

TruStile offers the TE 340 3D for doors up to 176 lbs and the TE 540 3D for doors weighing up to 264 lbs.

Our concealed hinge offering is available on any 1-3/4" TruStile door and provides a complete solution: precision-machined door, fully prepped ready-to-assemble jamb and choice of Tectus hinges. Not available on pre-hung units, only with knock-down jambs.

SIMONSWERK HINGE FINISH OPTIONS



Matte Black (107)



Rustic Umber (156)



Satin Nickel Look (125)



Satin Nickel (144)



Polished Nickel (038)



Satin Chrome Look (124)



Satin Chrome (146)



Stainless Steel Look (126)



Traffic White (070)



Satin Brass (047)



Polished Brass (030)



Dark Bronze Finish (176)



Light Bronze Finish (175)



Bronze Finish (174)



Bronze Metallic (168)

Available as a standard hinge prep on all 1-3/4" TruStile doors

