

US15 Satin Nickel shown

## TRUSTILE HINGES

TruStile offers architectural-grade, square corner, ball bearing hinges custom built to its specifications.

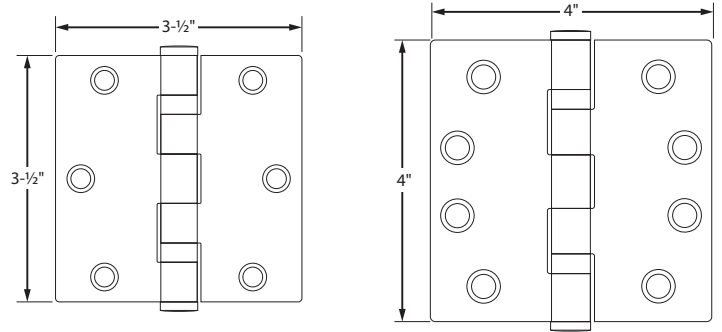
Doors that are ordered pre-hung receive 4 hinges on 1-3/4" doors, while 1-3/8" doors receive 3-1/2" hinges.

4-1/2" hinges are available for 1-3/4" and 2-1/4" doors.

Hinges can also be ordered for TruStile doors not pre-hung at the factory.

Spring hinges are available in 3-1/2", 4" and 4-1/2" sizes for openings requiring a self-closing mechanism, such as house-to-garage applications.

Disposable "throw away" hinges are available in all sizes.



## TRUSTILE HINGE FINISH OPTIONS



US3 Bright Brass



US4 Brushed Brass



US5 Antique Brass



US10a Antique Bronze



US10B Oil-Rubbed Bronze



US14 Polished Nickel



US15 Satin Nickel



US15a Antique Nickel



US19 Flat Black



US26 Polished Chrome



US26D Satin Chrome



Emtek square barrel hinge with US7 French Antique finish

## EMTEK BALL BEARING HINGES

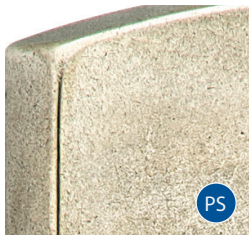
TruStile offers Emtek heavy-duty ball bearing, square corner hinges in plated steel, solid brass and stainless steel. Square corner, plated steel spring hinges are also available.

Emtek's solid brass, square corner, square barrel hinges are available in 0.180" thickness.

## EMTEK HINGE FINISH OPTIONS



Medium Bronze



Tumbled White Bronze



US10B Oil-Rubbed Bronze



US14 Polished Nickel



US15 Satin Nickel



US15A Antique Nickel



US19 Flat Black



US26 Polished Chrome



US3 Polished Brass



US3NL Unlacquered Brass



US4 Satin Brass



US7 French Antique

### Plated Steel Finishes

- Medium Bronze
- Tumbled White Bronze
- US10B Oil-Rubbed Bronze
- US14 Polished Nickel
- US15 Satin Nickel
- US15A Antique Nickel
- US19 Flat Black
- US26 Polished Chrome
- US3 Polished Brass
- US4 Satin Brass
- US7 French Antique

### Solid Brass Finishes

- US10B Oil-Rubbed Bronze
- US14 Polished Nickel
- US15 Satin Nickel
- US15A Antique Nickel
- US19 Flat Black
- US26 Polished Chrome
- US3 Polished Brass
- US3NL Unlacquered Brass
- US4 Satin Brass
- US7 French Antique



Ball Tip



Steeple Tip

Matching ball and steeple tips are available for Emtek solid brass round barrel hinges

## BALDWIN ESTATE HINGES

TruStile offers Baldwin's Estate, heavy duty ball bearing, square corner, solid brass hinges in all their standard finishes.

Spring hinges and 3 1/2" x 3 1/2" size hinges are not available in the Baldwin Estate Collection.

### BALDWIN FINISH OPTIONS

#### Tier 1 Finishes

003	Lifetime (PVD) Polished Brass
031	Non-lacquered Brass
033	Vintage Brass
060	Satin Brass & Brown
050	Satin Brass & Black
151	Antique Nickel
112	Venetian Bronze
102	Oil-Rubbed Bronze
190	Satin Black
264	Satin Chrome
260	Polished Chrome
150	Satin Nickel

#### Tier 2 Finishes

044	Lifetime (PVD) Satin Brass
055	Lifetime (PVD) Polished Nickel
056	Lifetime (PVD) Satin Nickel
402	Distressed Oil Rubbed Bronze
452	Distressed Antique Nickel



Baldwin hinge in Lifetime (PVD) Polished Brass

Hinge tip options for Baldwin Estate solid brass hinges.



Ball Tip

Acorn Tip

Steeple Tip

Urn Tip

## PBB BALL BEARING HINGES:

TruStile offers PBB heavy duty ball bearing, square corner hinges in plated steel. Spring hinges are not available with PBB hinges

### PBB FINISH OPTIONS

US3	Polished Brass	US26	Polished Chrome
US4	Satin Brass	US26D	Satin Chrome
US5	Antique Brass	US32D	Satin Stainless
US10	Satin Bronze	689	Aluminum Powder Coat
US10A	Antique Bronze	694	Medium Bronze Powder Coat
US10B	Oil-Rubbed Bronze	695	Dark Bronze Powder Coat
US15	Satin Nickel	800	Black Powder Coat
US15A	Antique Nickel		



## SIMONSWERK TECTUS CONCEALED HINGES

Simonswerk Tectus concealed hinges offer a sleek, clean look perfect for today's modern interiors. These precision hinges are fully adjustable in three dimensions, making it simple to create a perfect margin between the door and frame.

TruStile offers the TE 340 3D for doors up to 176 lbs and the TE 540 3D for doors weighing up to 264 lbs.

Our concealed hinge offering is available on any 1-3/4" TruStile door and provides a complete solution: precision-machined door, fully prepped ready-to-assemble jamb and choice of Tectus hinges. Not available on pre-hung units, only with knock-down jambs.

Available as a standard hinge prep on 1-3/4" TruStile interior doors

### SIMONSWERK HINGE FINISH OPTIONS



Matte Black (107)



Rustic Umber (156)



Satin Nickel Look (125)



Satin Nickel (144)



Polished Nickel (038)



Satin Chrome Look (124)



Satin Chrome (146)



Stainless Steel Look (126)



Traffic White (070)



Satin Brass (047)



Polished Brass (030)



Dark Bronze Finish (176)



Light Bronze Finish (175)



Bronze Finish (174)



Bronze Metallic (168)

